

## INSTALLATION INSTRUCTIONS

DESCRIPTION: Top Case Cover Plate

PART NUMBER: BBW-F41G0-V0

FITS: BBW-F84A8-V0 (34L) and BBW-F84A8-T0 (45L)



### ⚠ WARNING

Please read and understand these instructions completely before installation to avoid possible injury, or damage to the accessory or vehicle.

### NOTICE:

Installation of this kit requires a torque wrench and should be performed by an authorized Yamaha dealer or a qualified mechanic.

### WARRANTY INFORMATION:

In the United States, contact your dealer of purchase for information, fitment advice and a copy of the Yamaha Genuine Parts and Accessories Limited Warranty for this accessory.

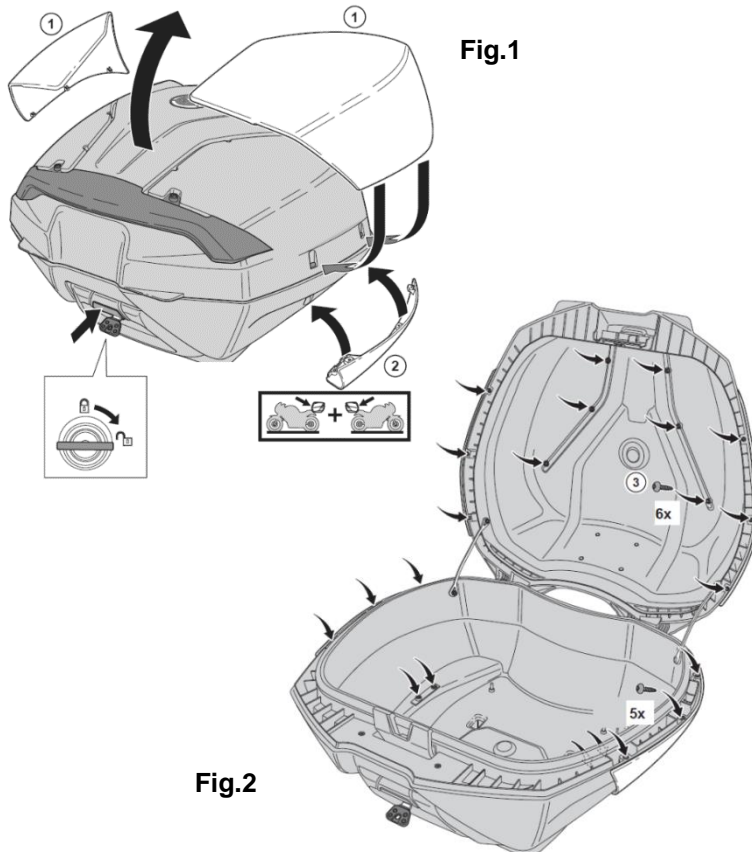
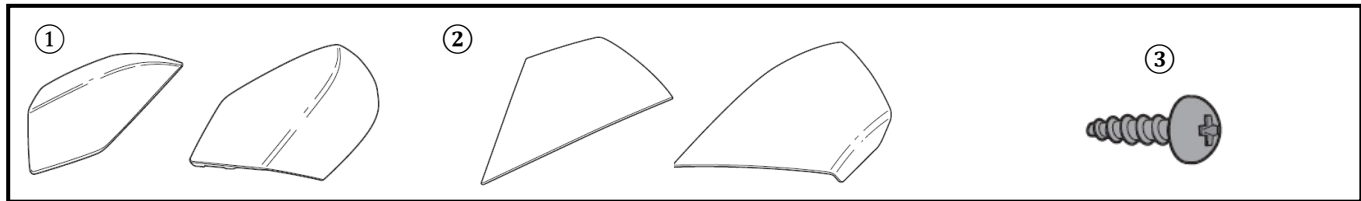
### DEALER OR INSTALLER:

These instructions contain important information for future reference and *must* be given to the customer.

### PARTS LIST:

No.	Part Number	Description	Qty
--	BBW-F41G0-V0	TOP COVER KIT BLACK	--
①	*	Top Covers	2
②	*	Bottom Covers	2
③	*	Screws	22

\* Part supplied with kit only and not available separately.



### PREPARATION:

- Stand the motorcycle on a secure and level surface.
- Clean the mounting surfaces before beginning installation.

### INSTALLATION:

1. Install lid covers on case. (Fig.1)
2. Unlock and open Top Case lid and install hardware in displayed locations. (Fig. 2)
3. Tighten hardware snugly and ensure covers are secured. Do not overtighten screws as they could damage covers.

### MAINTENANCE:

Periodically ensure the Cover screws is securely in place. Tighten screws if found loose.

### CARE AND CLEANING:

Wash using a mild soap and water solution and soft cloth.

### CUSTOMER SERVICE:

For further information see your Yamaha dealer.

**ESTIMATED TIME TO INSTALL: 0.25 HRS.**